

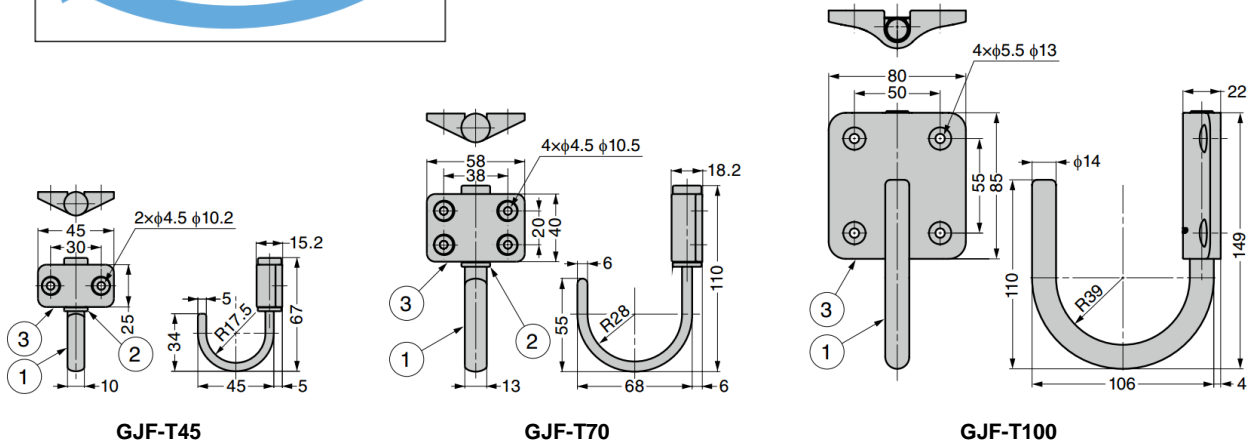
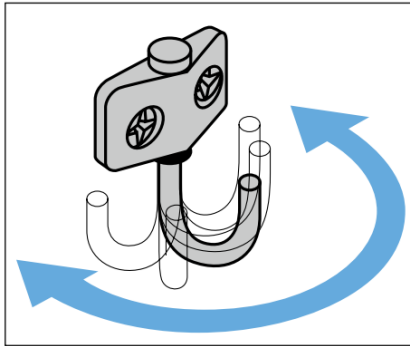
GJF-T Swing Hook With Friction

Features

- Swivels 180°, friction prevents unintentional swinging
- Large type **GJF-T100** can withstand load of 392 N (40 kg)

Parts Included

- **GJF-T45, GJF-T70:** Truss head tapping screw 4×20 (SUS)
- **GJF-T100:** Binding head tapping screw 5×30 (SUS)



No.	Part Name	Material	Finish / Colour
①	Hook	Stainless Steel (SUS304), Stainless Steel (SUS303): GJF-T100 only	Polished
②	Bracket	POM	Black
③	Strike	Stainless Steel (SCS13)	Polished

※SCS13 is equivalent of SUS304.

Part No.	Load Capacity	
GJF-T45	170 N	17 kg
GJF-T70		
GJF-T100	392 N	40 kg